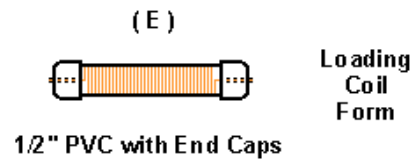
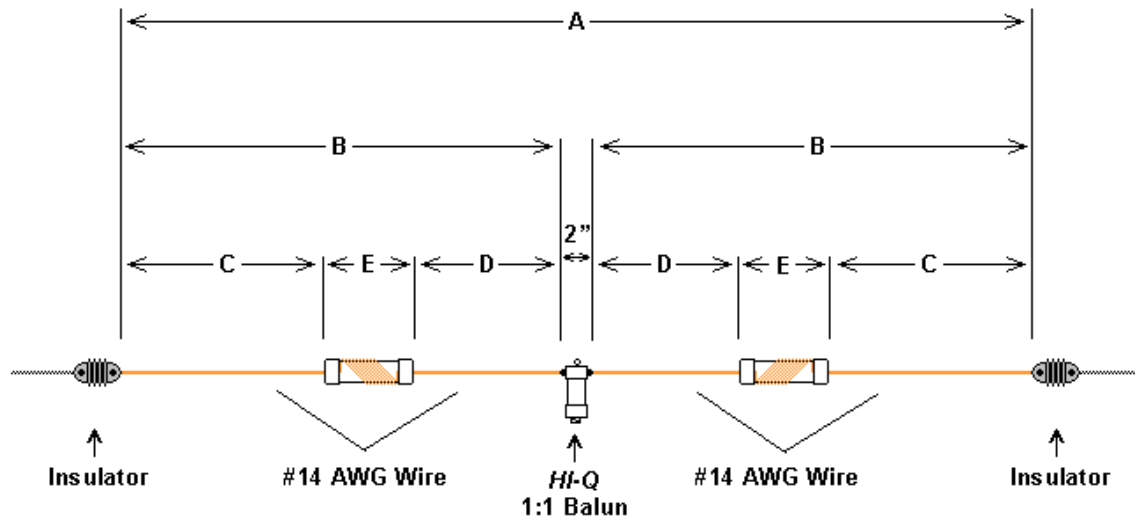


Small-Lot Dipole

Getting On HF With Limited Space

DESIGN BY WA6ESC



BAND	A	B	C	D	E - Coil Form Length & Number Wire Turns
40M	32' - 8"	16' - 3"	7' - 6"	8' - 2"	6" / 72 turns #20 jacketed copper wire
60M	42' - 8"	21' - 3"	12' - 6"	8' - 2"	6" / 72 turns #20 jacketed copper wire
75M	50' - 6"	25' - 2"	16' - 2"	8' - 2"	9" / 115 turns #20 jacketed copper wire
80M	60' - 8"	30' - 3"	21' - 3"	8' - 2"	9" / 115 turns #20 jacketed copper wire

** Some "pruning & tuning" may be required*