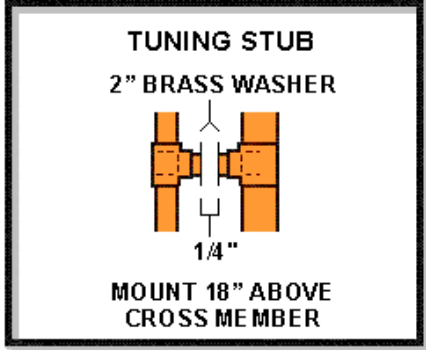
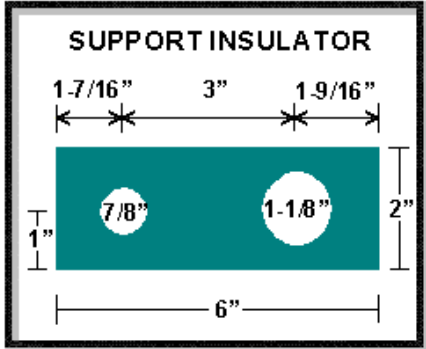
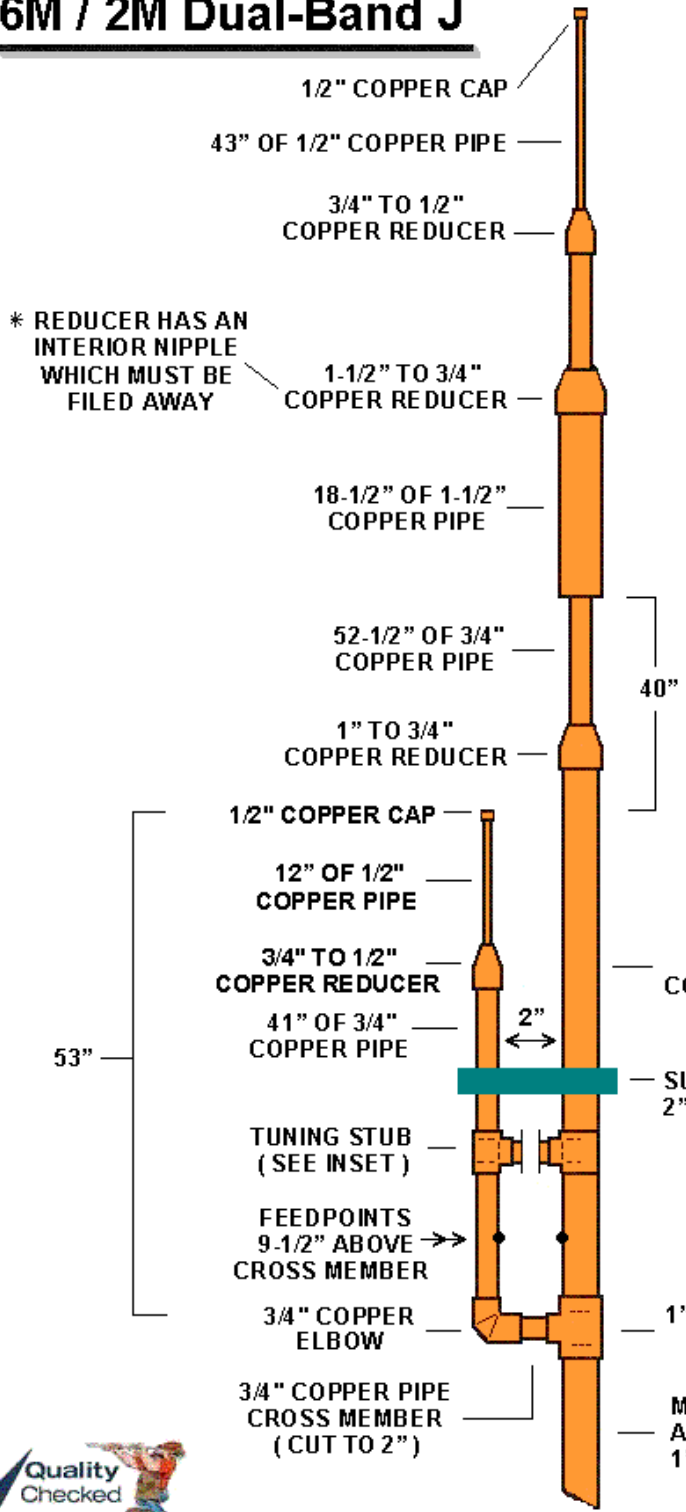


J-Poles

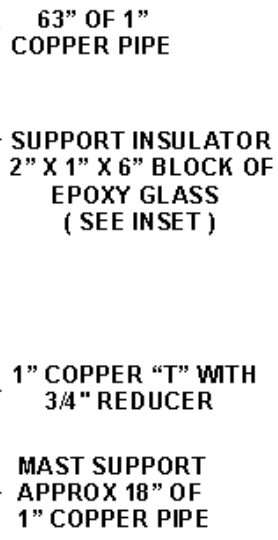
Designs for 50 – 450 MHz

6M / 2M Dual-Band J

DESIGN BY WA6ESC



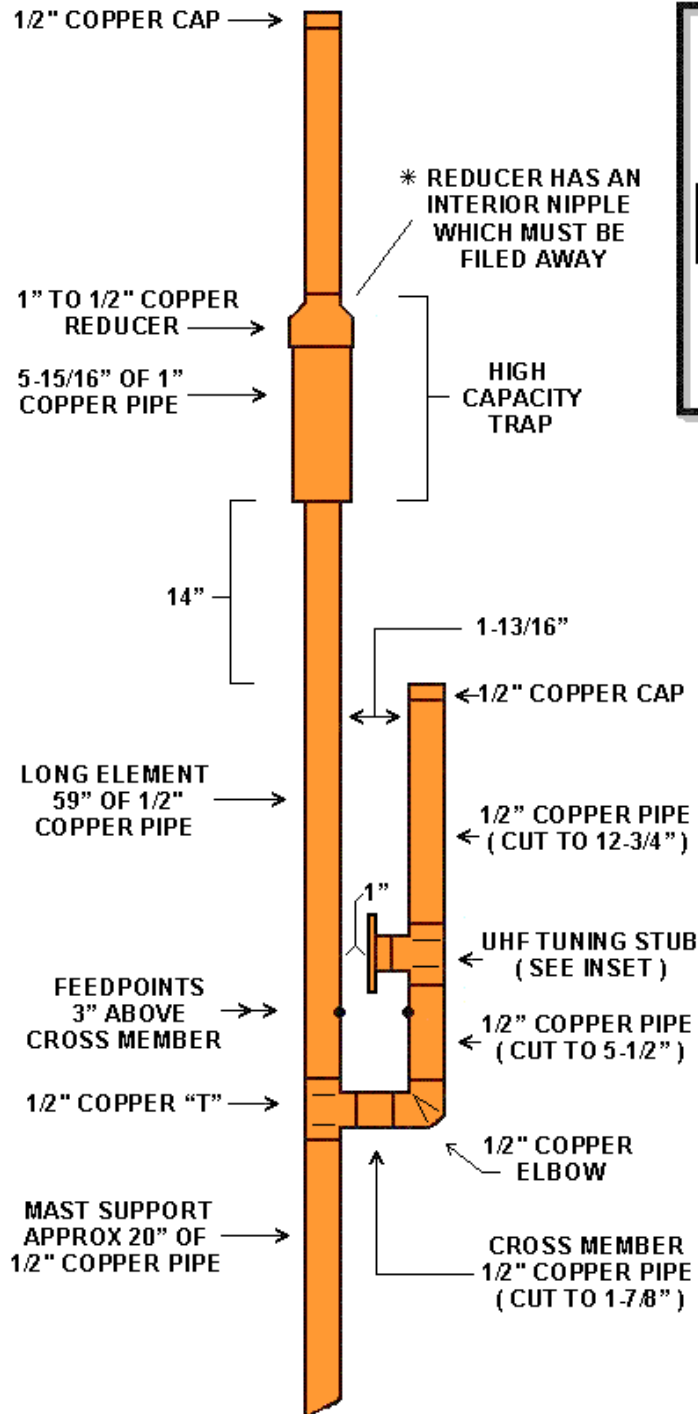
FEED WITH 75" COAXIAL BALUN



TOP TO BOTTOM: 14' 8"

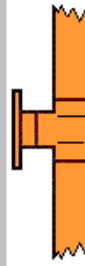
2M / 70Cm Dual-Band J

CONTRIBUTORY DESIGN BY W6WXA & WA6ESC



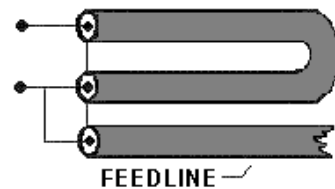
UHF TUNING STUB

THIS SECTION CONSISTS OF A 1/2" COPPER "T" PLUS A 1/2" COPPER CAP THAT HAS BEEN SOLDERED TOGETHER. THEN A 1" SCRAP PIECE OF 1/2" PIPE HAS BEEN CUT & FLATTENED OUT, THEN CUT IN A CIRCULAR SHAPE SO AS TO HAVE A 1" DIAMETER. ALL THREE OF THESE PARTS ARE THEN SOLDERED TOGETHER.



BALUN CONSTRUCTION

F
E
E
D
P
O
I
N
T
S

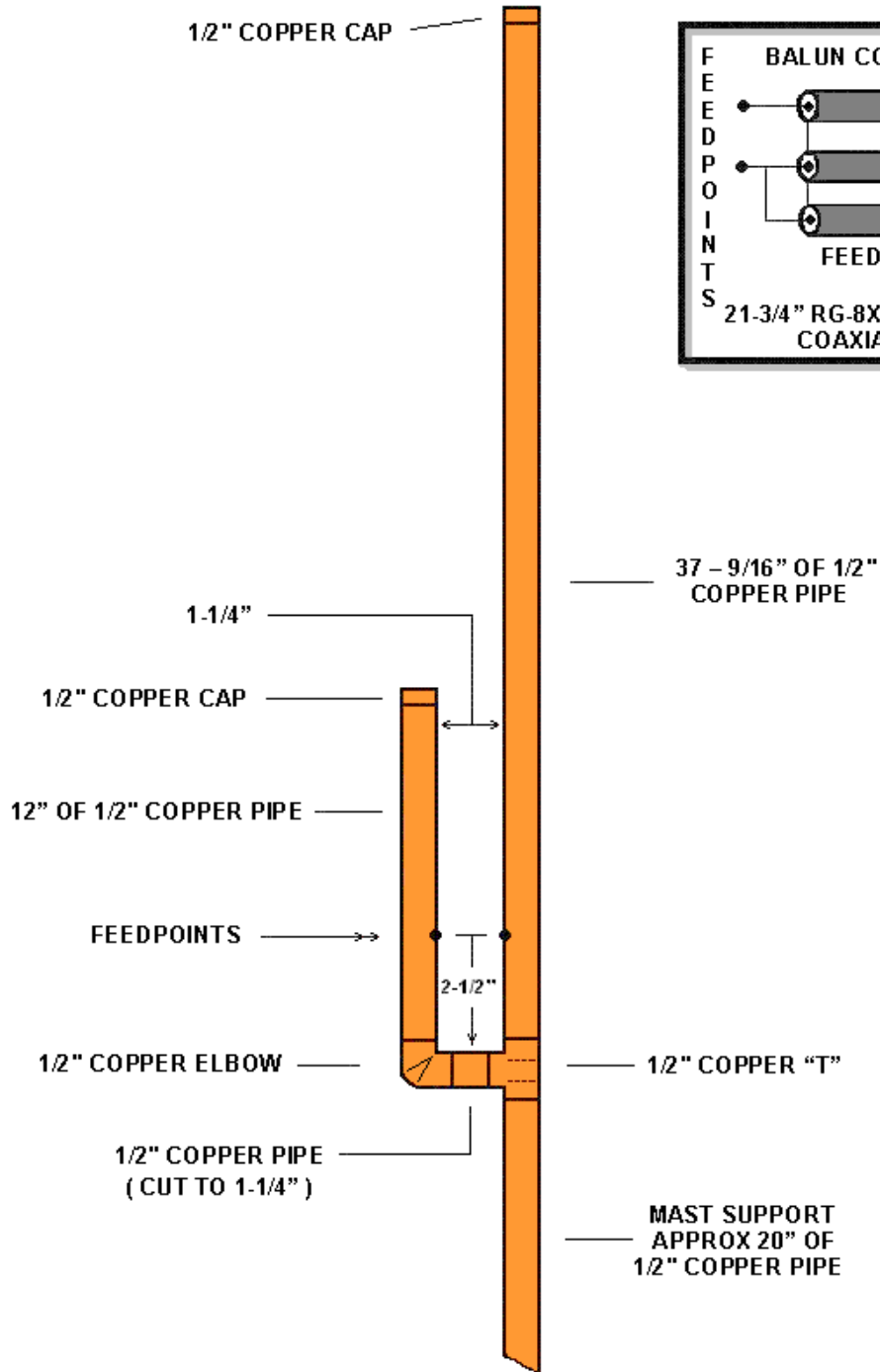
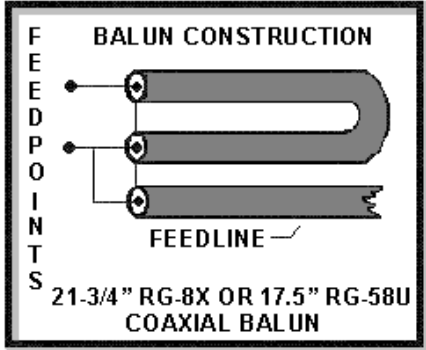


33" OF RG-X OR 26.5" OF RG-58U



1.25 Meter J-Pole

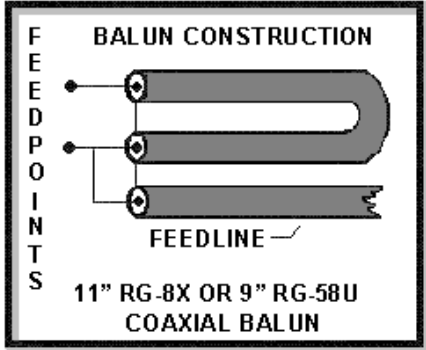
DESIGN BY WA6ESC



70 Centimeter J

DESIGN BY WA6ESC

1/2" COPPER CAP



18-7/16" OF 1/2" COPPER PIPE

1-5/16"

1/2" COPPER CAP

6" OF 1/2" COPPER PIPE

FEEDPOINTS

2-1/2"

1/2" COPPER "T"

1/2" COPPER ELBOW

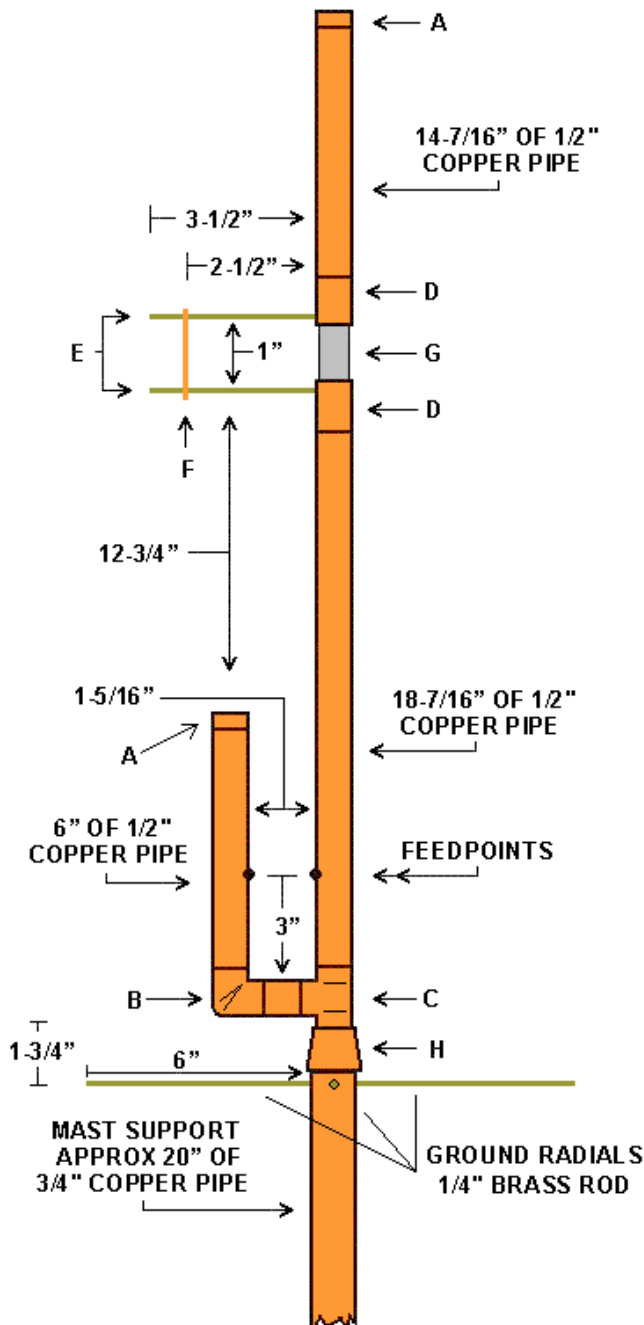
1/2" COPPER PIPE
(CUT TO 1-5/16")

MAST SUPPORT
APPROX 20" OF
1/2" COPPER PIPE



70 Cm Collinear J

3.2 Db Gain



DESIGN BY WA6ESC

- PARTS IDENTIFICATION**
- A. 1/2" COPPER CAP
 - B. 1/2" COPPER ELBOW
 - C. 1/2" COPPER "T"
 - D. 1/2" COPPER SLEEVE
 - E. 1/4" BRASS ROD
 - F. SHORTING BAR - (#10 COPPER WIRE)
 - G. 1-11/16" FINALIC INSULATOR
 - H. 3/4" TO 1/2" COPPER REDUCER

