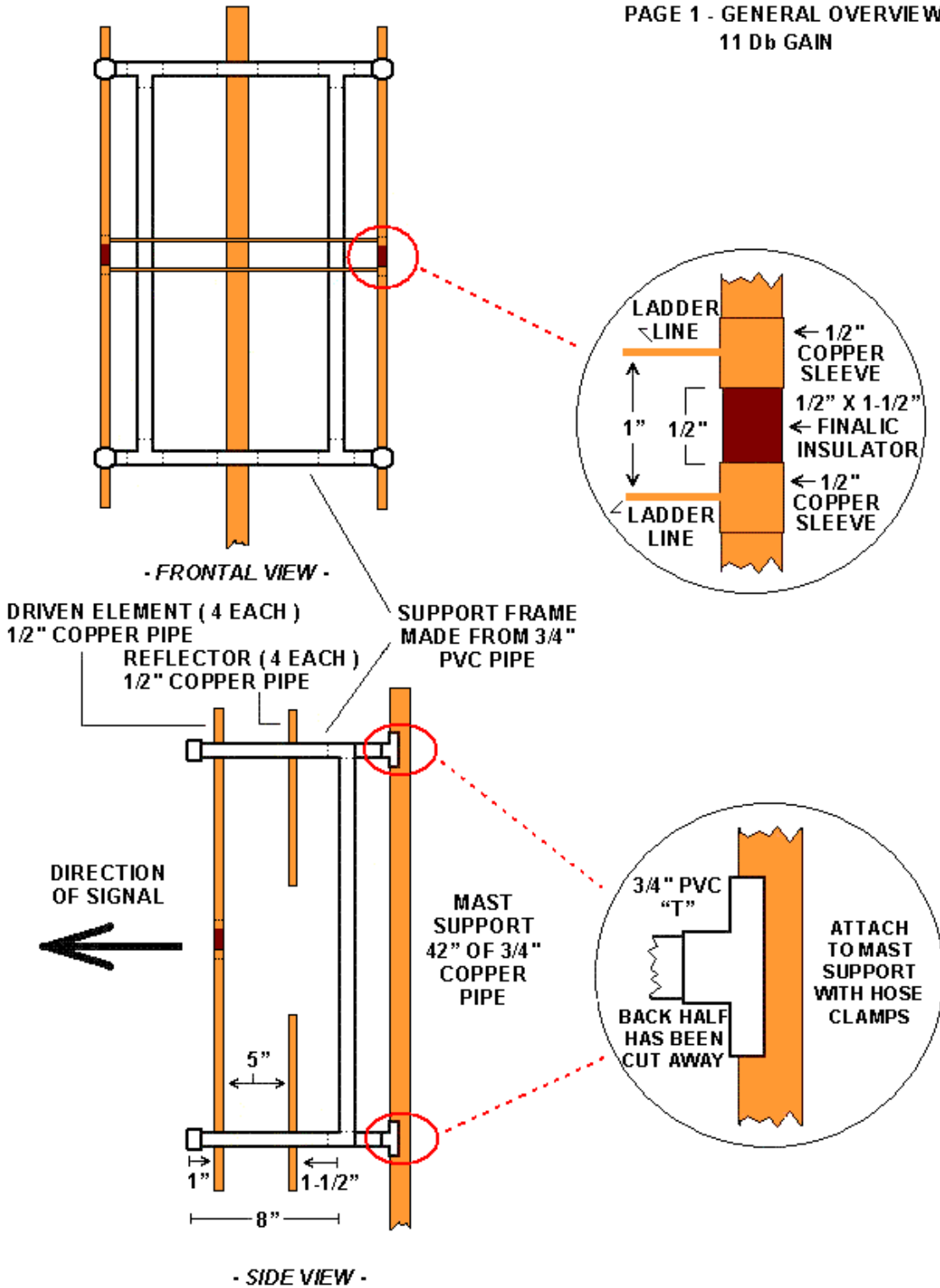


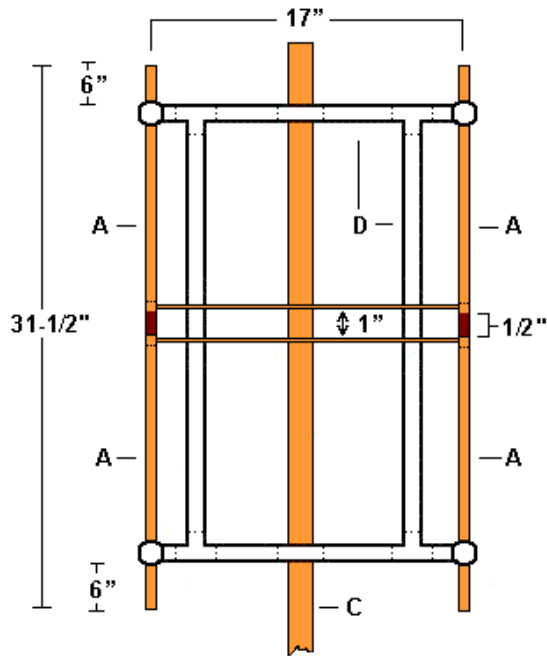
# 70 Cm Broadside Array

DESIGN BY WA6ESC

PAGE 1 - GENERAL OVERVIEW  
11 Db GAIN

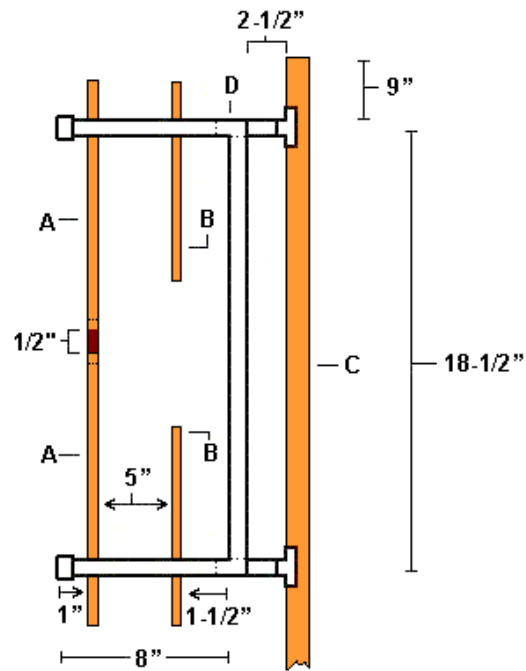


- PAGE 2 -  
GENERAL MEASUREMENTS



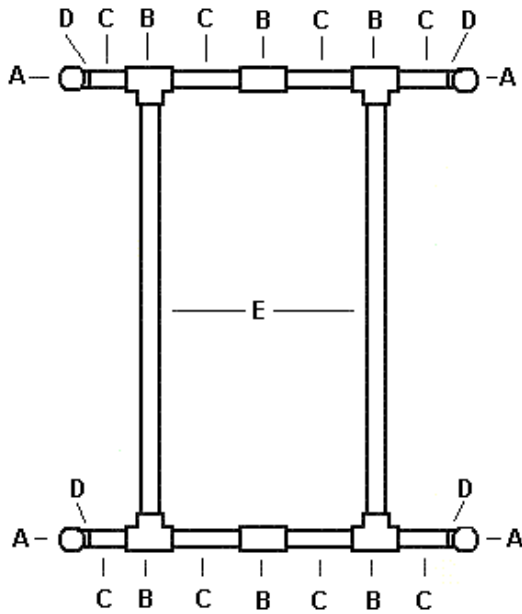
- FRONTAL VIEW -

PARTS IDENTIFICATION	
A.	RADIATING ELEMENTS (4 EACH) 15-1/2" OF 1/2" COPPER PIPE
B.	REFLECTORS (4 EACH) 13" OF 1/2" COPPER PIPE
C.	MAST SUPPORT 42" OF 3/4" COPPER PIPE
D.	FRAME ASSEMBLY 3/4" PVC PIPE



- SIDE VIEW -

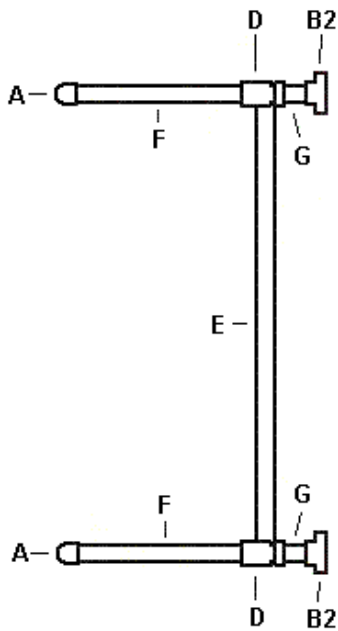
**- PAGE 3 -  
FRAME ASSEMBLY**



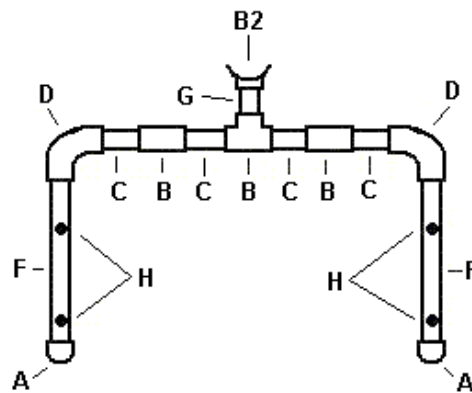
**- FRONTAL VIEW -**

PARTS IDENTIFICATION	
A.	3/4" PVC CAP
B.	3/4" PVC "T"
B2.	3/4" PVC "T" <i>BACK HALF HAS BEEN CUT AWAY</i>
C.	3" OF 3/4" PVC
D.	3/4" PVC ELBOW
E.	17-1/4" OF 3/4" PVC
F.	8" OF 3/4" PVC
G.	1-1/2" OF 3/4" PVC
H.	DRILL POINTS / HOLES ARE 5/8" DIAMETER AND 5-1/2" FROM CENTER - POINT TO CENTER-POINT. FORWARD MOST HOLES ARE 1" FROM END OF PVC.

**ALL MEASUREMENTS ARE CUT-TO LENGTHS**

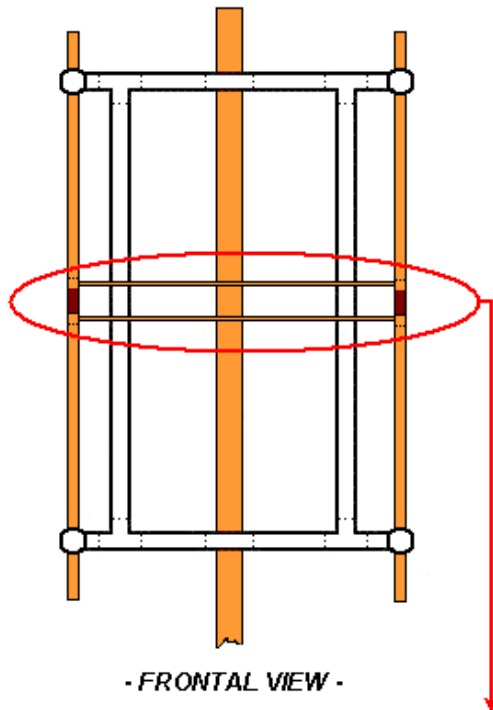


**- SIDE VIEW -**



**- TOP VIEW -**

- PAGE 4 -  
**LADDER LINE, FEEDING & TUNING**



- A. DRIVEN ELEMENT
  - B. 1/2" COPPER SLEEVE
  - C. 1/2" X 1-1/2" FINALIC INSULATOR
- LADDER LINE  
 #10 OR #12  
 SOLID COPPER WIRE

